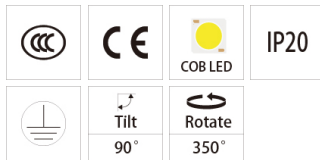
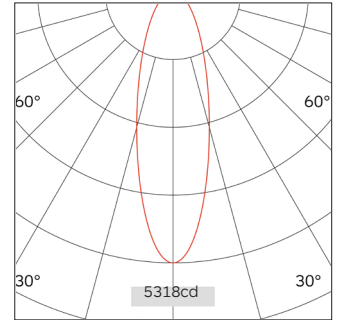
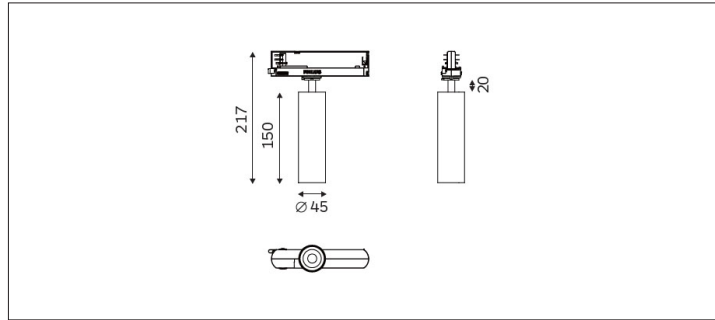
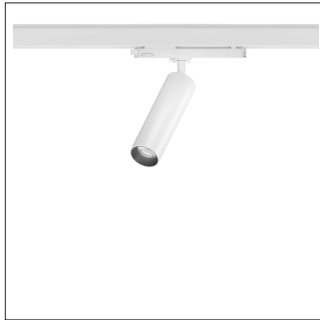


# 32.04531 Lanky Track Lighting



Light Distribution	Lanky Track Lighting
Colour Temperature	2700/3000/3500/4000K
Colour Rendition Index	CRI 90
Optics	Lens
Beam Angle	28D/34D/48D/58D
Track Phases	1 Circuit/ 3 Circuit
Connected Load	20W
Luminous Flux Of The Luminaire	1926 lm
Luminaire Efficacy	96lm/W
Colour Deviation	SDCM < 5
Light Source	LED
LED Type	COB
Dimming Method	Triac/0-10V/ Dali
Cover Material	Aluminum
Body Material	Aluminum
IP Rating	IP20
Housing Colour	Sandy White/ Sandy Black
Weight	0.6Kg
Technical Region	220-240V 50/60Hz

## Light Beam Talbe

h(m)	E(lx)	D(m)
		28°
1.0	5318.18	0.51
2.0	1329.55	1.02
3.0	590.91	1.53
4.0	332.39	2.04
5.0	212.73	2.55

Application areas: clothing shops, furniture shops and other brand boutiques, car displays, jewelry, star hotels, high-end clubs, museums, professional windows, and other high-end commercial places..