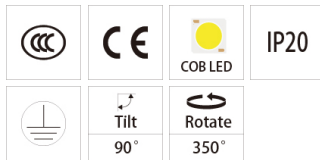
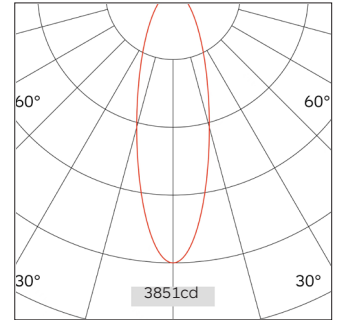
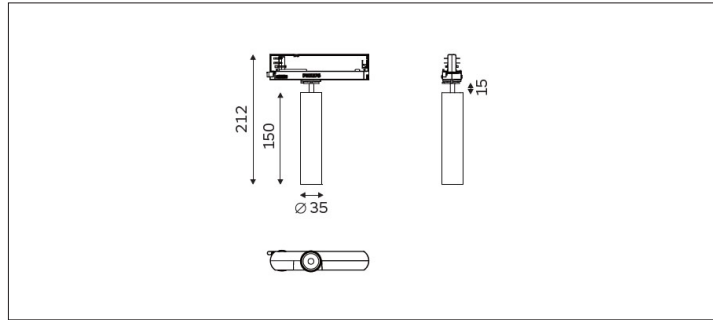


32.03512 Lanky Track Lighting



Light Distribution	Lanky Track Lighting
Colour Temperature	2700/3000/3500/4000K
Colour Rendition Index	CRI 90
Optics	Lens
Beam Angle	26D/35D/46D/57D
Track Phases	1 Circuit/ 3 Circuit
Connected Load	12W
Luminous Flux Of The Luminaire	1036 lm
Luminaire Efficacy	86lm/W
Colour Deviation	SDCM < 5
Light Source	LED
LED Type	COB
Dimming Method	Triac/0-10V/ Dali
Cover Material	Aluminum
Body Material	Aluminum
IP Rating	IP20
Housing Colour	Sandy White/ Sandy Black
Weight	0.5Kg
Technical Region	220-240V 50/60Hz

Light Beam Table

h(m)	E(lx)	D(m)
		26°
1.0	3851.29	0.47
2.0	962.82	0.95
3.0	427.92	1.42
4.0	240.71	1.89
5.0	154.05	2.36

Application areas: clothing shops, furniture shops and other brand boutiques, car displays, jewelry, star hotels, high-end clubs, museums, professional windows, and other high-end commercial places.