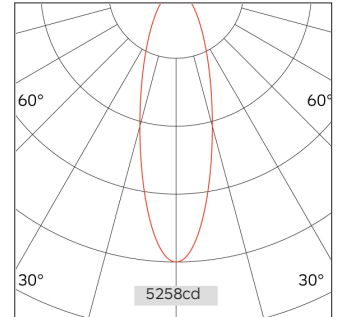
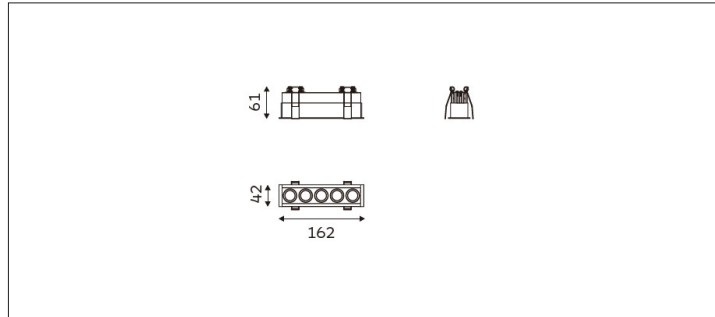
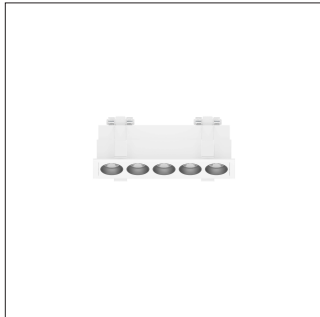


55.03521 Mine Recessed Downlight



Light Distribution	Mine Recessed Downlight
Colour Temperature	2700/3000/3500/4000K
Colour Rendition Index	CRI 90
Optics	Lens
Beam Angle	17D/37D/50D
Cut Out	155x35mm
Connected Load	13W
Luminous Flux Of The Luminaire	913lm
Luminaire Efficacy	70lm/W
Colour Deviation	SDCM < 5
Light Source	LED
LED Type	SMD
Dimming Method	Triac/0-10V/ Dali
Cover Material	Aluminum
Body Material	Aluminum
IP Rating	IP20
Housing Colour	Sandy White/ Sandy Black
Weight	0.5Kg
Technical Region	220-240V 50/60Hz

Light Beam Talbe

h(m)	E(lx)	D(m)
		17°
1.0	5258.34	0.31
2.0	1314.58	0.62
3.0	584.26	0.93
4.0	328.65	1.23
5.0	210.33	1.54

A modern design consisting for the purpose to meet the highest requirements of the latest advanced lighting technology.

Application areas: retail, museums, hospitality, residential, offices and lobbies.