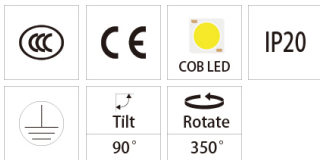
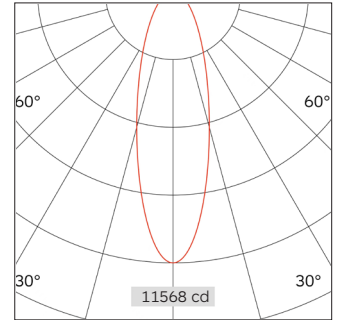
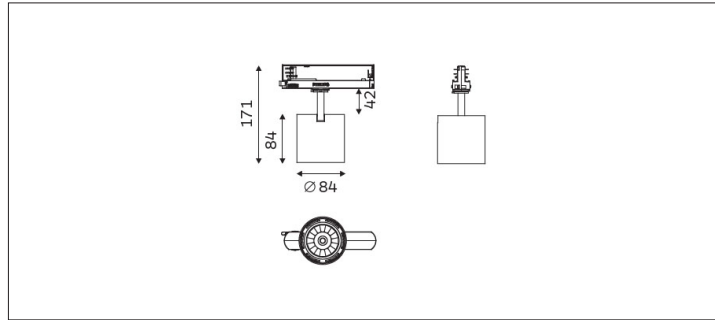


32.08423 High Lumen Pro Track Lighting



Light Distribution	High lumen Pro Track Lighting
Colour Temperature	2700/3000/3500/4000K
Colour Rendition Index	CRI 90
Optics	Reflector
Beam Angle	14D/23D/43D/61D
Track Phases	1 Circuit/ 3 Circuit
Connected Load	20W
Luminous Flux Of The Luminaire	2828 lm
Luminaire Efficacy	141.4lm/W
Colour Deviation	SDCM<5
Light Source	LED
LED Type	COB
Dimming Method	Triac/0-10V/ Dali
Cover Material	Aluminum
Body Material	Aluminum
IP Rating	IP20
Housing Colour	Sandy White/ Sandy Black
Weight	0.6Kg
Technical Region	220-240V 50/60Hz

Light Beam Table

H(M)	E(lx)	D(M)
		23°
1.0	11568.85	0.41
2.0	2892.21	0.82
3.0	1285.43	1.23
4.0	723.05	1.63
5.0	462.75	2.04

High lumen track lights use LED technology, which is more energy efficient than traditional lighting products. Classic style rail fixtures often incorporate design elements of traditional fixtures for a classic and elegant look.