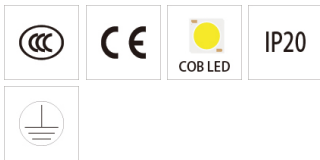
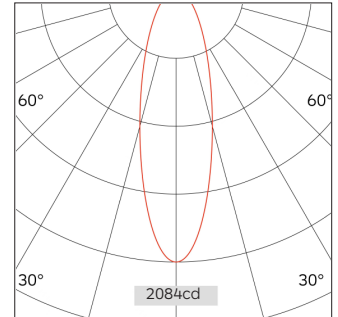
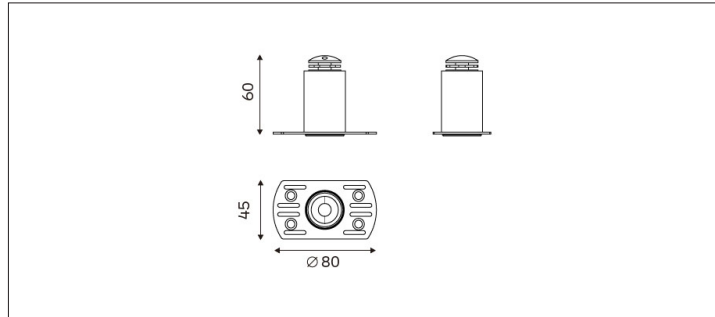
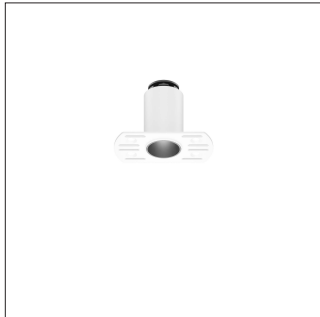


# 60.04011 Mini Recessed Downlight



Light Distribution	Mini Recessed Downlight
Colour Temperature	2700/3000/3500/4000K
Colour Rendition Index	CRI 90
Optics	Lens
Beam Angle	17D/24D/36D/54D
Cut Out	40mm
Connected Load	7.5W
Luminous Flux Of The Luminaire	444lm
Luminaire Efficacy	59.2lm/W
Colour Deviation	SDCM < 5
Light Source	LED
LED Type	COB
Dimming Method	Triac/0-10V/ Dali
Cover Material	Aluminum
Body Material	Aluminum
IP Rating	IP20
Housing Colour	Sandy White/ Sandy Black
Weight	0.4Kg
Technical Region	220-240V 50/60Hz

Light Beam Talbe

h(m)	E(lx)	D(m)
		24°
1.0	2084.43	0.43
2.0	521.11	0.86
3.0	231.60	1.28
4.0	130.28	1.71
5.0	83.38	2.14

High-end residential, retail projects, hotels, museums and galleries. Can be a variety of combinations, put together different shapes, to achieve the effect of only see the light does not see the light.