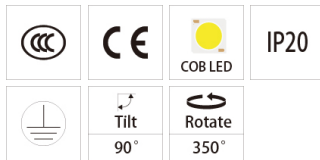
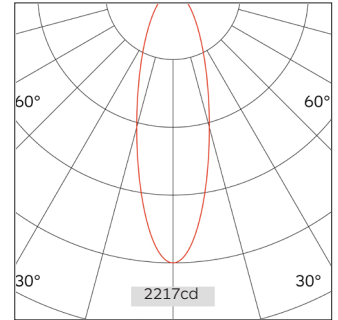
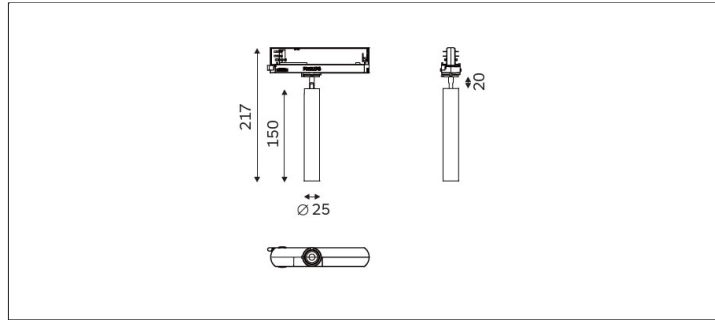


32.02511 Lanky Track Lighting



Light Distribution	Lanky Track Lighting
Colour Temperature	2700/3000/3500/4000K
Colour Rendition Index	CRI 90
Optics	Lens
Beam Angle	20D/25D/35D/55D
Track Phases	1 Circuit/ 3 Circuit
Connected Load	9W
Luminous Flux Of The Luminaire	510 lm
Luminaire Efficacy	56lm/W
Colour Deviation	SDCM < 5
Light Source	LED
LED Type	COB
Dimming Method	Triac/0-10V/ Dali
Cover Material	Aluminum
Body Material	Aluminum
IP Rating	IP20
Housing Colour	Sandy White/ Sandy Black
Weight	0.4Kg
Technical Region	220-240V 50/60Hz

Light Beam Talbe		
h(m)	E(lx)	D(m)
		25°
1.0	2217.27	0.44
2.0	554.32	0.87
3.0	246.36	1.31
4.0	138.58	1.75
5.0	88.69	2.19

Application areas: clothing shops, furniture shops and other brand boutiques, car displays, jewelry, star hotels, high-end clubs, museums, professional windows, and other high-end commercial places.