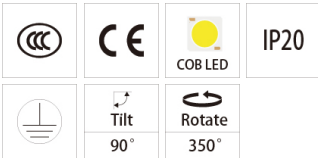
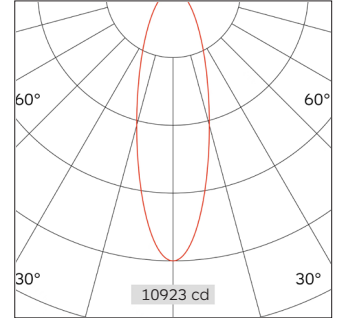
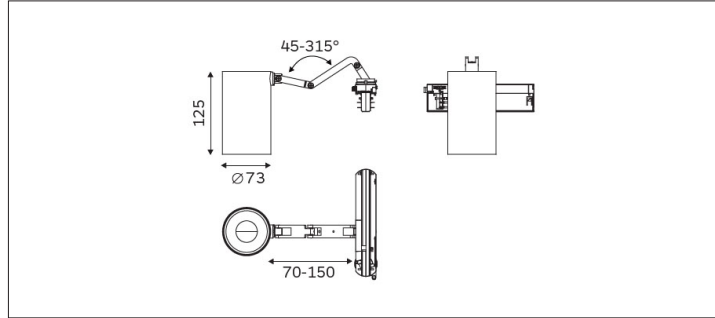


32.07326 Armi Track Lighting



| | |
|--------------------------------|--------------------------|
| Light Distribution | Armi Track Lighting |
| Colour Temperature | 2700/3000/3500/4000K |
| Colour Rendition Index | CRI 90 |
| Optics | Lens |
| Beam Angle | 14D/28D/40D/50D |
| Track Phases | 1 Circuit/ 3 Circuit |
| Connected Load | 24W |
| Luminous Flux Of The Luminaire | 2963lm |
| Luminaire Efficacy | 123.45lm/W |
| Colour Deviation | SDCM<5 |
| Light Source | LED |
| LED Type | COB |
| Dimming Method | Triac/1-10V/ Dali |
| Cover Material | Aluminum |
| Body Material | Aluminum |
| IP Rating | IP20 |
| Housing Colour | Sandy White/ Sandy Black |
| Weight | 0.7Kg |
| Technical Region | 220-240V 50/60Hz |

| Light Beam Talbe | | |
|------------------|----------|------|
| h(m) | E(lx) | D(m) |
| | | 28D |
| 1.0 | 10923.40 | 0.50 |
| 2.0 | 2730.85 | 1.00 |
| 3.0 | 1213.71 | 1.50 |
| 4.0 | 682.71 | 2.00 |
| 5.0 | 436.94 | 2.49 |

Suitable for spaces that need to be slotted. Flexible legs allow the fixture to swivel, adjust and straighten out to meet a variety of depths and complexity of slotted spaces. Mainly used for the need to open the slotted, to realize the lights do not see the fixture of the high-end commercial space.