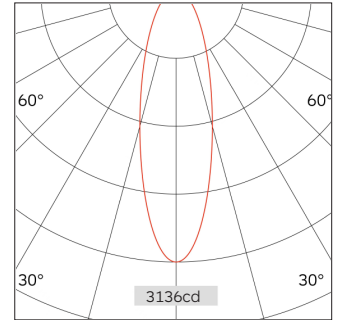
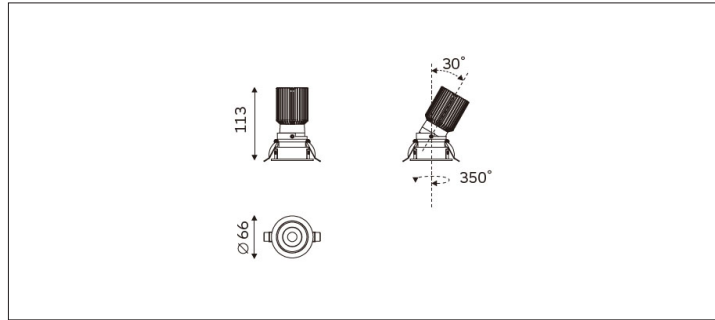


52.06013 Leko Recessed Downlight



Light Distribution	Leko Recessed Downlight
Colour Temperature	2700/3000/3500/4000K
Colour Rendition Index	CRI 90
Optics	Lens
Beam Angle	26D/32D/46D/54D
Cut Out	60mm
Connected Load	9.3W
Luminous Flux Of The Luminaire	1000lm
Luminaire Efficacy	107.53lm/W
Colour Deviation	SDCM < 5
Light Source	LED
LED Type	COB
Dimming Method	Triac/0-10V/ Dali
Cover Material	Aluminum
Body Material	Aluminum
IP Rating	IP20
Housing Colour	Sandy White/ Sandy Black
Weight	0.6Kg
Technical Region	220-240V 50/60Hz

Light Beam Talbe		
h(m)	E(lx)	D(m)
		26°
1.0	3136.08	0.47
2.0	784.02	0.93
3.0	348.45	1.40
4.0	196.01	1.87
5.0	125.44	2.34

Application for: household, shopping malls, hotels, clubs, stores and jewelry display lighting field.