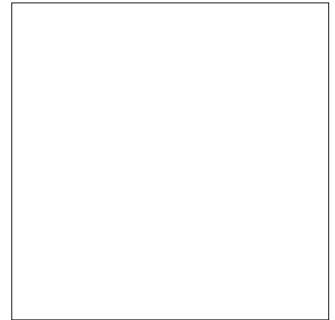
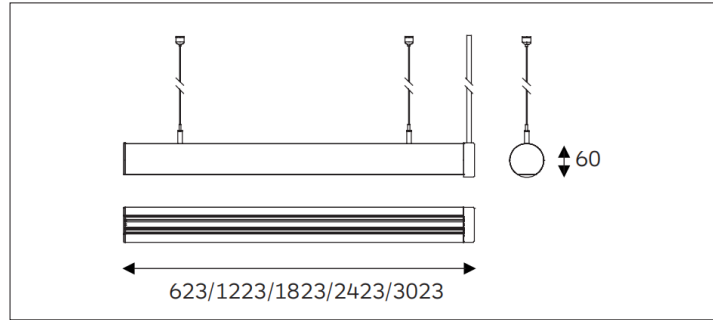


86.06015 AURO TUBE 60 Profile Systems

Magnetic Track Rail



Light Distribution	Auro Tube 60 Profile Systems-Magnetic
Colour Temperature	
Colour Rendition Index	
Optics	
Beam Angle	
Installation method	
Connected Load	48V
Luminous Flux Of The Luminaire	
Luminaire Efficacy	
Colour Deviation	
Light Source	
LED Type	
Dimming Method	
Cover Material	Aluminum
Body Material	Aluminum
IP Rating	IP20
Housing Colour	Sandy White/ Sandy Black
Weight	
Technical Region	Input48V

Linear lighting is used in a wide range of indoor lighting applications, including areas such as living rooms, bedrooms, kitchens, etc. in home spaces, as well as showrooms, corridors, offices, etc. in commercial spaces. Its flexible installation and uniform lighting effect make it one of the preferred choices for indoor lighting design.