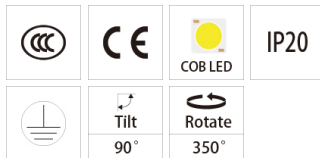
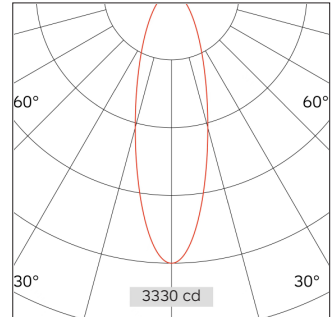
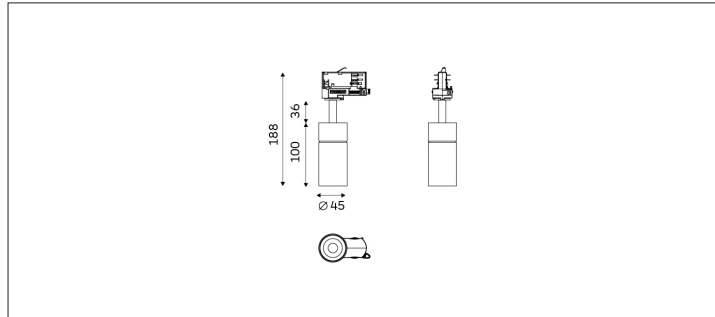


# 32.04515 EMMA Track Lighting



Light Distribution	Track Lighting
Colour Temperature	2700/3000/3500/4000K
Colour Rendition Index	CRI 90
Optics	LENS
Beam Angle	19D/29D/44D/56D
Track Phases	1 Circuit/ 3 Circuit
Connected Load	11W
Luminous Flux Of The Luminaire	935lm
Luminaire Efficacy	84lm/W
Colour Deviation	SDCM < 5
Light Source	LED
LED Type	COB
Dimming Method	Triac/1-10V/ Dali
Cover Material	Aluminum
Body Material	Aluminum
IP Rating	IP20
Housing Colour	Sandy White/ Sandy Black
Weight	0.25Kg
Technical Region	220-240V 50/60Hz

Light Beam Table

H(M)	E(lx)	D(M)
		29°
1.0	3330.81	0.53
2.0	832.70	1.06
3.0	370.09	1.60
4.0	208.18	2.13
5.0	133.23	2.66

Application areas: retail, museums, hospitality, residential, offices and lobbies.