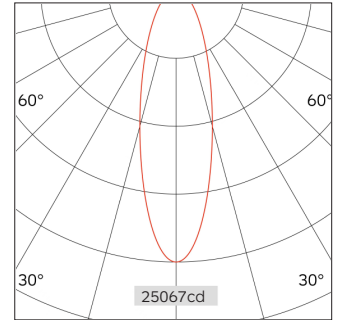
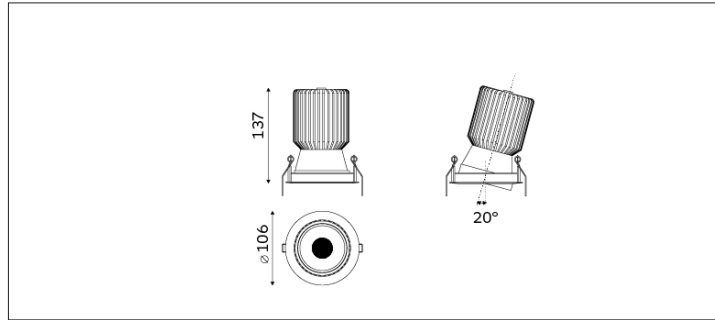


52.10019 ECO RECESSED DOWNLIGHT



Light Distribution	ECO Recessed Downlight
Colour Temperature	2700/3000/3500/4000K
Colour Rendition Index	CRI 90
Optics	LENS
Beam Angle	18D/24D/33D/55D
Cut Out	100mm
Connected Load	28W
Luminous Flux Of The Luminaire	3839lm
Luminaire Efficacy	137lm/W
Colour Deviation	SDCM <5
Light Source	LED
LED Type	COB
Dimming Method	Triac/1-10V/ Dali
Cover Material	Aluminum
Body Material	Aluminum
IP Rating	IP20
Housing Colour	Sandy White/ Sandy Black
Weight	0.8Kg
Technical Region	220-240V 50/60Hz

Light Beam Table

H(M)	E(lx)	D(M)
		18°
1.0	25067.18	0.32
2.0	6266.79	0.64
3.0	2785.24	0.96
4.0	1566.70	1.28
5.0	1002.69	1.6

Application areas: High end residential and retail projects, hotels, museums and galleries.