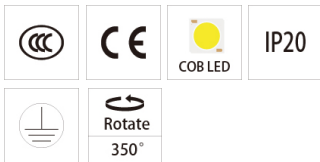
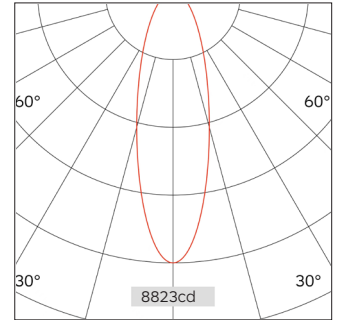
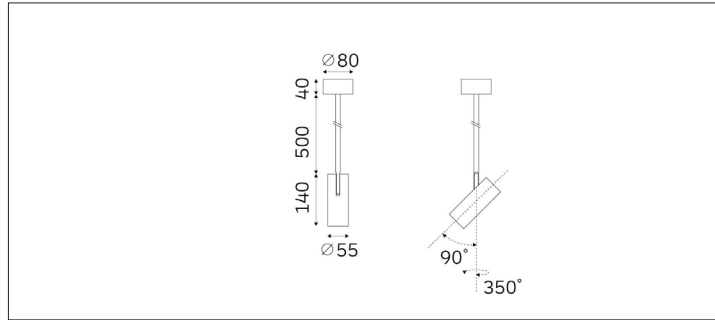


93.05517 SPECTRUM ROD SUSPENSION LIGHTING



Light Distribution	Spectrum rod suspension
Colour Temperature	2700/3000/3500/4000K
Colour Rendition Index	CRI 90
Optics	LENS
Beam Angle	20D/31D/43D/52D
Installation method	surface mounted
Connected Load	24.2W
Luminous Flux Of The Luminaire	2615lm
Luminaire Efficacy	108lm/W
Colour Deviation	SDCM <5
Light Source	LED
LED Type	COB
Dimming Method	1-10V/ Dali
Cover Material	Aluminum
Body Material	Aluminum
IP Rating	IP20
Housing Colour	Sandy White/ Sandy Black
Weight	0.6Kg
Technical Region	220-240V 50/60Hz

Light Beam Talbe		
H(M)	E(lx)	D(M)
		31°
1.0	8823.40	0.56
2.0	2205.85	1.12
3.0	980.38	1.69
4.0	551.46	2.25
5.0	352.94	2.81

Greater angle adjustment (up to 30d unidirectional), and at the same time with horizontal adjustment. Meet the lighting needs of different places. Share a variety of optical accessories, you can one body, free to change.