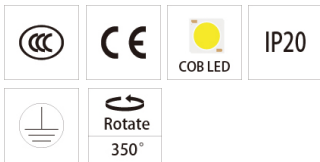
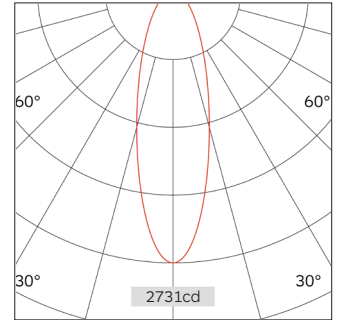
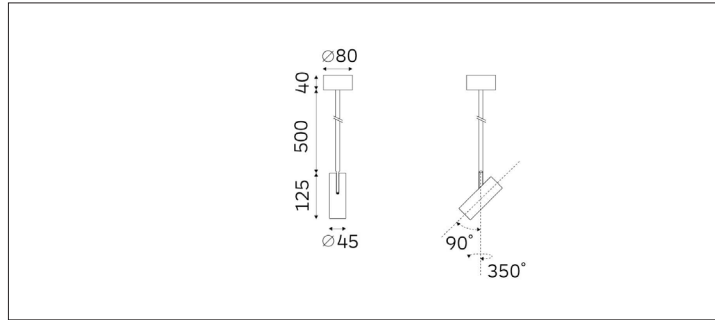


93.04520 SPECTRUM ROD SUSPENSION LIGHT



Light Distribution	Spectrum rod suspension
Colour Temperature	2700/3000/3500/4000K
Colour Rendition Index	CRI 90
Optics	LENS
Beam Angle	20D/24D/36D/43D
Installation method	Surface Mounted
Connected Load	14.3W
Luminous Flux Of The Luminaire	1083lm
Luminaire Efficacy	75lm/W
Colour Deviation	SDCM <5
Light Source	LED
LED Type	COB
Dimming Method	1-10V/ Dali
Cover Material	Aluminum
Body Material	Aluminum
IP Rating	IP20
Housing Colour	Sandy White/ Sandy Black
Weight	0.45Kg
Technical Region	220-240V 50/60Hz

H(M)	E(lx)	D(M)
		36°
1.0	2731.78	0.66
2.0	682.95	1.31
3.0	303.53	1.97
4.0	170.74	2.62
5.0	109.27	3.28

Greater angle adjustment (up to 30d unidirectional), and at the same time with horizontal adjustment. Meet the lighting needs of different places. Share a variety of optical accessories, you can one body, free to change.