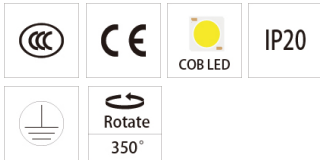
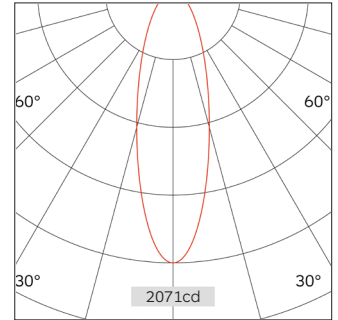
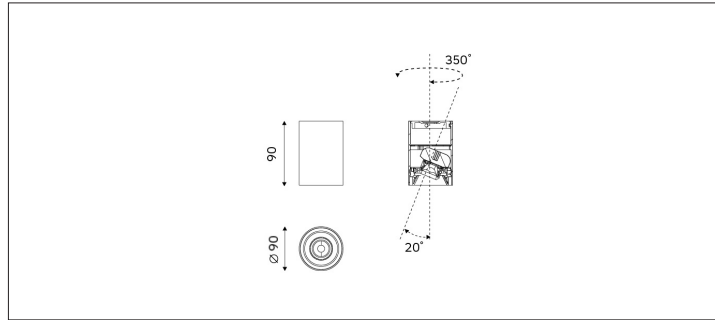
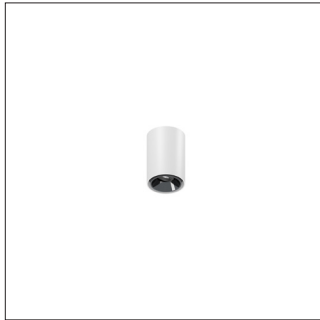


93.06217 RECO SURFACE MOUNTED LIGHT



Light Distribution	SURFACE MOUNTED LIGHT
Colour Temperature	2700/3000/3500/4000K
Colour Rendition Index	CRI 90
Optics	LENS
Beam Angle	16D/23D/35D/57D
Installation method	Surface Mounted
Connected Load	7W
Luminous Flux Of The Luminaire	452lm
Luminaire Efficacy	64lm/W
Colour Deviation	SDCM < 5
Light Source	LED
LED Type	COB
Dimming Method	Triac/1-10V/ Dali
Cover Material	Aluminum
Body Material	Aluminum
IP Rating	IP20
Housing Colour	Matt White/ Matt Black
Weight	0.3Kg
Technical Region	220-240V 50/60Hz

H(M)	E(lx)	D(M)
		23°
1.0	2071	0.4
2.0	517	0.81
3.0	230	1.21
4.0	129	1.61
5.0	82	2.01

Adjustable angle surface mounted luminaires, whose internal body is a module, can be easily dismantled and serviced. It is easy to replace parts or perform maintenance. The lower cup of the luminaire offers a choice of different colours. Compared to the traditional surface-mounted structure, this series of luminaires adopts a novel design that makes the overall appearance more modern and unique.