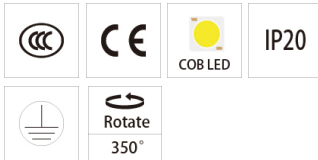
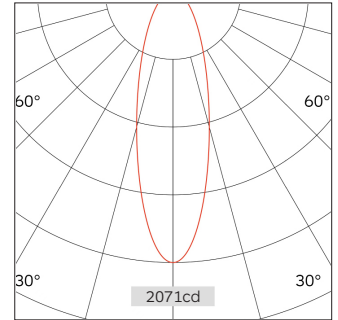
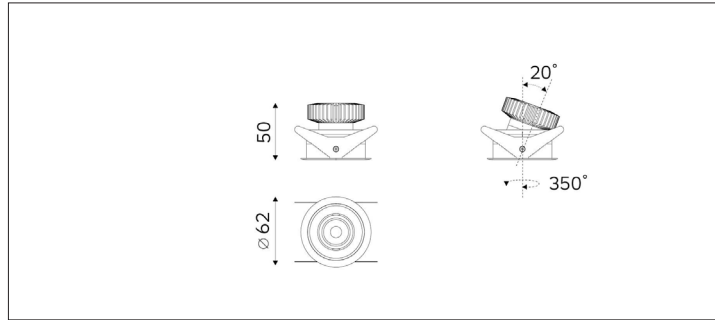
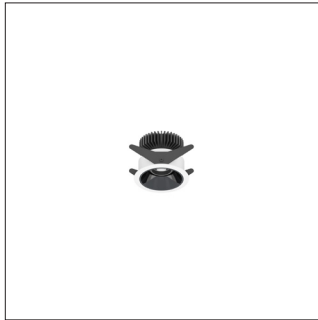


52.05521 UTH RECESSED DOWNLIGHT



Light Distribution	UTH Recessed Downlight
Colour Temperature	2700/3000/3500/4000K
Colour Rendition Index	CRI 90
Optics	LENS
Beam Angle	16D/23D/35D/57D
Cut out	55mm
Connected Load	7W
Luminous Flux Of The Luminaire	452lm
Luminaire Efficacy	66m/W
Colour Deviation	SDCM <5
Light Source	LED
LED Type	COB
Dimming Method	Triac/1-10V/ Dali
Cover Material	Aluminum
Body Material	Aluminum
IP Rating	IP20
Housing Colour	Sandy White/ Sandy Black
Weight	0.3Kg
Technical Region	220-240V 50/60Hz

Light Beam Table

H(M)	E(lx)	D(M)
		23°
1.0	2071	0.40
2.0	517	0.81
3.0	230	1.34
4.0	129	1.21
5.0	82	2.01

Ultra-thin Anti-glare downlight, CNC machining, luminaire surface can support electroplating treatment. With Anti-glare and high efficiency optics. Classic and durable, suitable for spaces with restricted ceiling heights.