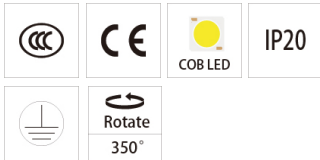
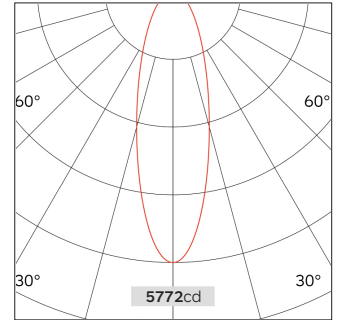
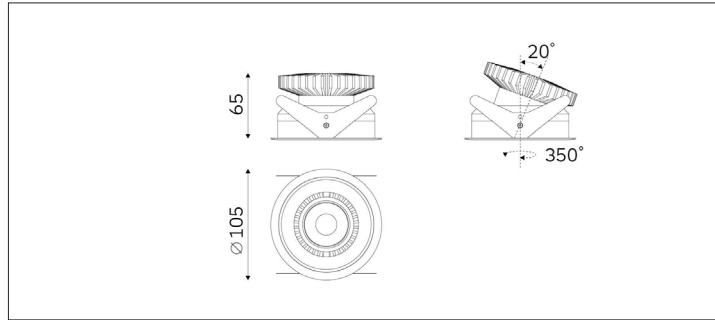


52.09529 UTH RECESSED DOWNLIGHT



Light Distribution	UTH Recessed Downlight
Colour Temperature	2700/3000/3500/4000K
Colour Rendition Index	CRI 90
Optics	LENS
Beam Angle	21D/31D/41D/51D
Cut out	95mm
Connected Load	14.3W
Luminous Flux Of The Luminaire	1677lm
Luminaire Efficacy	117lm/W
Colour Deviation	SDCM <5
Light Source	LED
LED Type	COB
Dimming Method	Triac/1-10V/ Dali
Cover Material	Aluminum
Body Material	Aluminum
IP Rating	IP20
Housing Colour	Sandy White/ Sandy Black
Weight	0.6Kg
Technical Region	220-240V 50/60Hz

Light Beam Table

H(M)	E(lx)	D(M)
		31°
1.0	5772	0.55
2.0	1443	1.10
3.0	641	1.64
4.0	360	2.19
5.0	230	2.74

Ultra-thin Anti-glare downlight, CNC machining, luminaire surface can support electroplating treatment. With Anti-glare and high efficiency optics. Classic and durable, suitable for spaces with restricted ceiling heights.