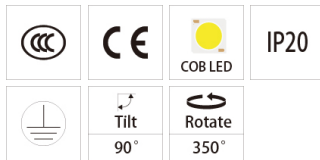
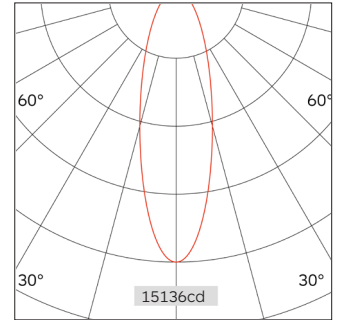
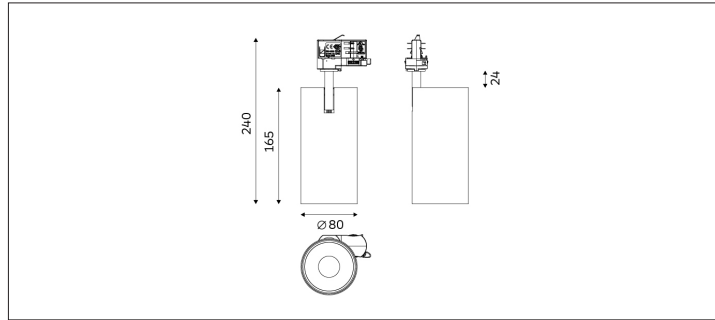


32.08011 ECO Track Lighting



Light Distribution	ECO Track Lighting
Colour Temperature	2700/3000/3500/4000K
Colour Rendition Index	CRI 90
Optics	LENS
Beam Angle	18D/26D/33D/55D
Track Phases	1 Circuit/ 3 Circuit
Connected Load	31W
Luminous Flux Of The Luminaire	3843lm
Luminaire Efficacy	125lm/W
Colour Deviation	SDCM <5
Light Source	LED
LED Type	COB
Dimming Method	Triac/1-10V/ Dali
Cover Material	Aluminum
Body Material	Aluminum
IP Rating	IP20
Housing Colour	Sandy White/ Sandy Black
Weight	0.75Kg
Technical Region	220-240V 50/60Hz

Light Beam Table

H(M)	E(lx)	D(M)
		26°
1.0	15136	0.47
2.0	3784	0.94
3.0	1681	1.41
4.0	946	1.87
5.0	605	2.34

Application areas: retail, museums, hospitality, residential, offices and lobbies.