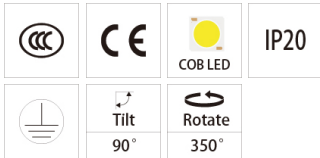
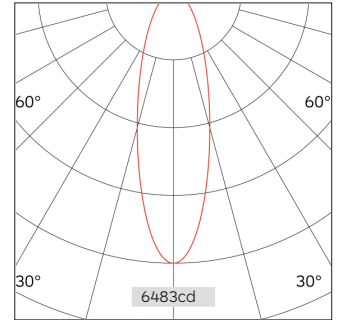
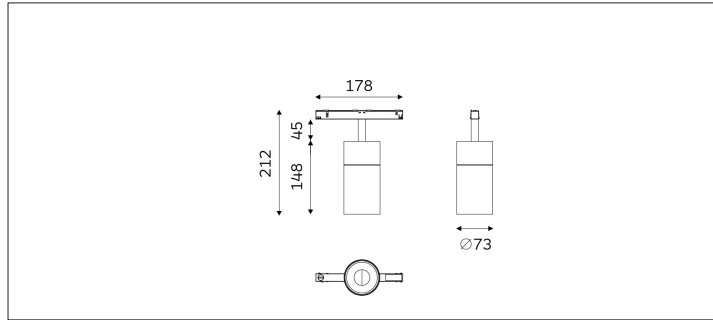
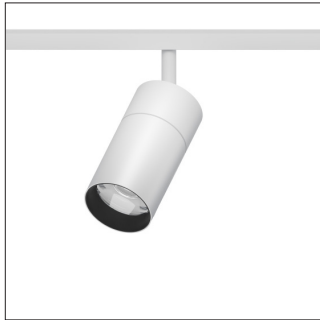


62.07312 EMMA Track Lighting



Connected Load	24W
Colour Temperature	2700/3000/3500/4000K
Colour Rendition Index	CRI 90
Optics	LENS
Beam Angle	14D/28D/40D/50D
Track	Low Voltage Track
Light Distribution	EMMA Track Lighting
Luminous Flux Of The Luminaire	2963lm
Luminaire Efficacy	127lm/W
Colour Deviation	SDCM <5
Light Source	LED
LED Type	COB
Dimming Method	1-10V/ Dali
Cover Material	Aluminum
Body Material	Aluminum
IP Rating	IP20
Housing Colour	Sandy White/ Sandy Black
Weight	0.8Kg
Technical Region	Input 48V

H(M)	E(lx)	D(M)
		40°
1.0	6483	0.74
2.0	1620	1.48
3.0	720	2.21
4.0	405	2.95
5.0	259	3.69

A modern design consisting for the purpose to meet the highest requirements of the latest advanced lighting technology.