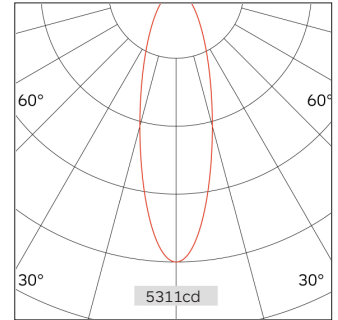
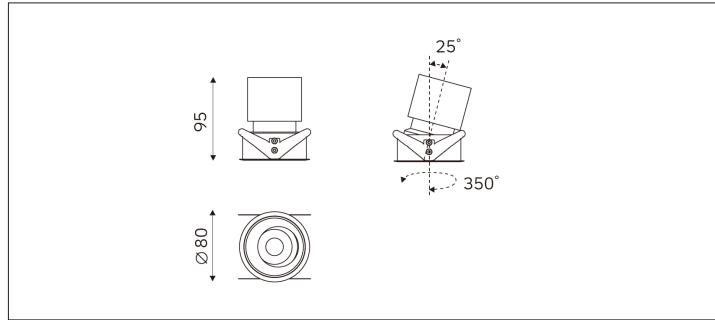


# 52.07517 SILO Recessed Downlight



Light Distribution	SILO Recessed Downlight
Colour Temperature	2700/3000/3500/4000K
Colour Rendition Index	CRI 90
Optics	LENS
Beam Angle	18D/32D/42D/52D
Cut Out	75mm
Connected Load	14W
Luminous Flux Of The Luminaire	1618lm
Luminaire Efficacy	115lm/W
Colour Deviation	SDCM <5
Light Source	LED
LED Type	COB
Dimming Method	Triac/1-10V/ Dali
Cover Material	Aluminum
Body Material	Aluminum
IP Rating	IP20
Housing Colour	Sandy White/ Sandy Black
Weight	0.7Kg
Technical Region	220-240V 50/60Hz

Light Beam Table

H(M)	E(lx)	D(M)
		32°
1.0	5311.26	0.57
2.0	1327.81	1.14
3.0	590.14	1.71
4.0	331.95	2.29
5.0	212.45	2.86

Star hotel rooms, aisles, villas, high-end private clubs, restaurants and other commercial spaces (such as furniture stores, ceramic and sanitary ware chain shops, brand chain shops and other commercial atmosphere lighting applications)