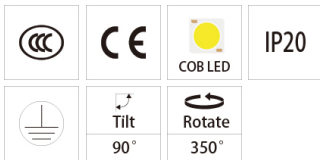
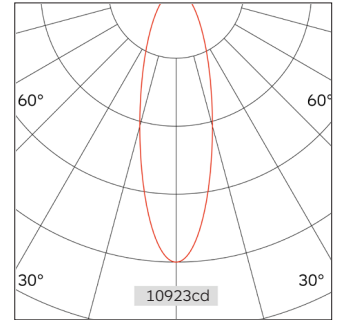
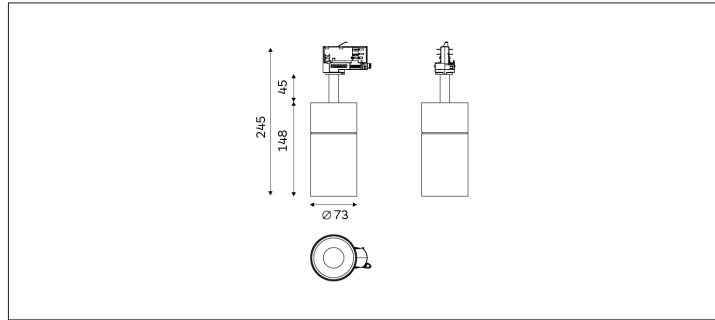


32.07313 EMMA Track Lighting



Light Distribution	EMMA Track Lighting
Colour Temperature	2700/3000/3500/4000K
Colour Rendition Index	CRI 90
Optics	LENS
Beam Angle	14D/28D/40D/50D
Track Phases	1 Circuit / 3 Circuit
Connected Load	24W
Luminous Flux Of The Luminaire	2963lm
Luminaire Efficacy	127lm/W
Colour Deviation	SDCM < 5
Light Source	LED
LED Type	COB
Dimming Method	Triac/1-10V/ Dali
Cover Material	Aluminum
Body Material	Aluminum
IP Rating	IP20
Housing Colour	Sandy White/ Sandy Black
Weight	0.7Kg
Technical Region	220-240V 50/60Hz

Light Beam Table

H(M)	E(lx)	D(M)
		28°
1.0	10923	0.50
2.0	2730	1.00
3.0	1213	1.50
4.0	682	2.00
5.0	436	2.49

Application areas: retail, museums, hospitality, residential, offices and lobbies.