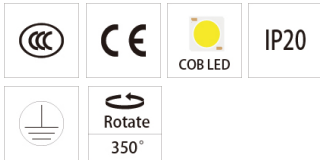
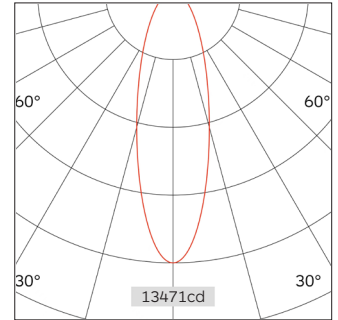
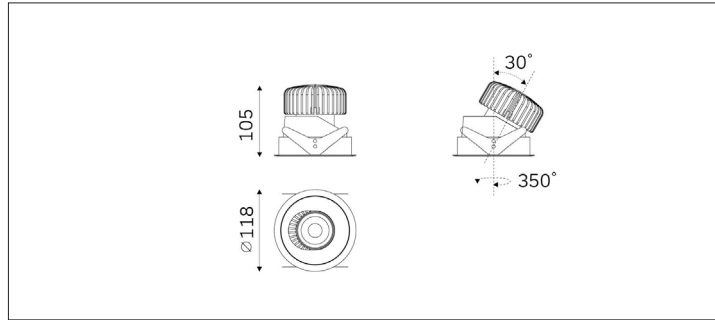


52.11012 SPECTRUM RECESSED DOWNLIGHT



Light Distribution	Spectrum Downlight
Colour Temperature	2700/3000/3500/4000K
Colour Rendition Index	CRI 90
Optics	LENS
Beam Angle	20D/31D/43D/53D
Cut out	110mm
Connected Load	24.3W
Luminous Flux Of The Luminaire	2615lm
Luminaire Efficacy	107lm/W
Colour Deviation	SDCM <5
Light Source	LED
LED Type	COB
Dimming Method	Triac/1-10V/ Dali
Cover Material	Aluminum
Body Material	Aluminum
IP Rating	IP20
Housing Colour	Sandy White/ Sandy Black
Weight	0.8Kg
Technical Region	220-240V 50/60Hz

Light Beam Table		
H(M)	E(lx)	D(M)
		20°
1.0	13471	0.36
2.0	3367	0.71
3.0	1496	1.07
4.0	841	1.43
5.0	538	1.79

Greater angle adjustment (up to 30d unidirectional), and at the same time with horizontal adjustment. Meet the lighting needs of different places. Share a variety of optical accessories, you can one body, free to change.