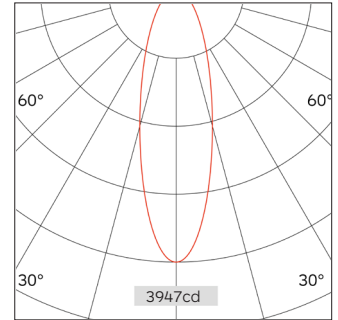
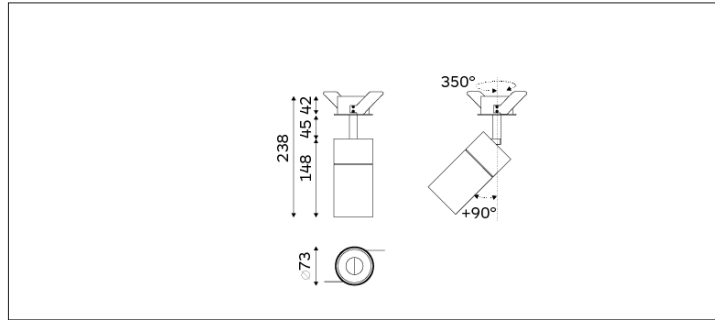


# 56.06511 EMMA Recessed Downlight



Light Distribution	Recessed Downlight
Colour Temperature	2700/3000/3500/4000K
Colour Rendition Index	CRI 90
Optics	LENS
Beam Angle	14D/28D/40D/50D
Cut Out	65mm
Connected Load	24W
Luminous Flux Of The Luminaire	2963lm
Luminaire Efficacy	123m/W
Colour Deviation	SDCM <5
Light Source	LED
LED Type	COB
Dimming Method	Triac/1-10V/ Dali
Cover Material	Aluminum
Body Material	Aluminum
IP Rating	IP20
Housing Colour	Sandy White/ Sandy Black
Weight	0.7Kg
Technical Region	220-240V 50/60Hz

H(M)	E(lx)	D(M)
		50°
1.0	3947.74	0.94
2.0	986.93	1.88
3.0	438.64	2.82
4.0	246.73	3.76
5.0	157.91	4.70

Application areas: retail, museums, hospitality, residential, offices and lobbies.