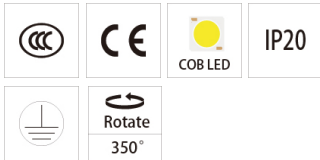
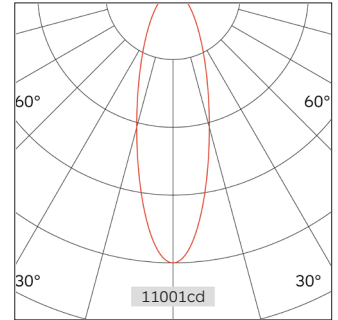
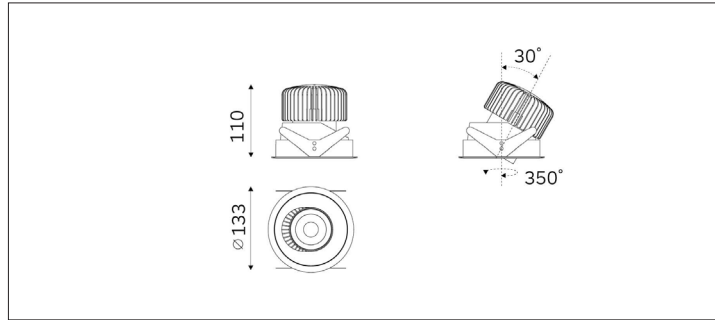


52.12516 SPECTRUM RECESSED DOWNLIGHT



| Light Distribution | Spectrum Downlight |
|--------------------------------|--------------------------|
| Colour Temperature | 2700/3000/3500/4000K |
| Colour Rendition Index | CRI 90 |
| Optics | LENS |
| Beam Angle | 19D/24D/39D/52D |
| Cut out | 125mm |
| Connected Load | 28W |
| Luminous Flux Of The Luminaire | 3055lm |
| Luminaire Efficacy | 109lm/W |
| Colour Deviation | SDCM <5 |
| Light Source | LED |
| LED Type | COB |
| Dimming Method | Triac/1-10V/ Dali |
| Cover Material | Aluminum |
| Body Material | Aluminum |
| IP Rating | IP20 |
| Housing Colour | Sandy White/ Sandy Black |
| Weight | 1Kg |
| Technical Region | 220-240V 50/60Hz |

| Light Beam Table | | |
|------------------|-------|------|
| H(M) | E(lx) | D(M) |
| | | 24° |
| 1.0 | 11001 | 0.45 |
| 2.0 | 2750 | 0.90 |
| 3.0 | 1222 | 1.35 |
| 4.0 | 687 | 1.80 |
| 5.0 | 440 | 2.25 |

Greater angle adjustment (up to 30d unidirectional), and at the same time with horizontal adjustment. Meet the lighting needs of different places. Share a variety of optical accessories, you can one body, free to change.