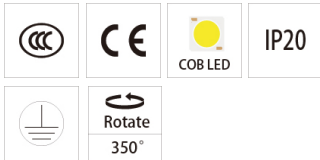
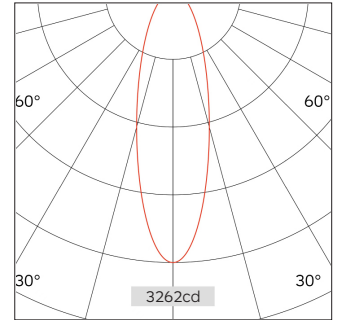
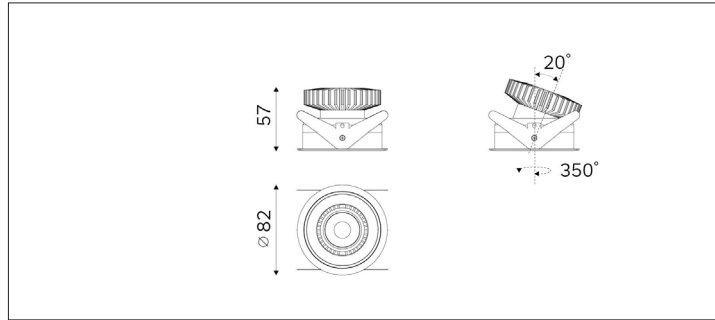
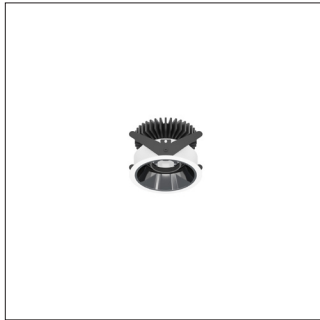


# 52.07521 UTH RECESSED DOWNLIGHT



Light Distribution	UTH Recessed Downlight
Colour Temperature	2700/3000/3500/4000K
Colour Rendition Index	CRI 90
Optics	LENS
Beam Angle	19D/24D/36D/49D
Cut out	75mm
Connected Load	8.6W
Luminous Flux Of The Luminaire	684lm
Luminaire Efficacy	80lm/W
Colour Deviation	SDCM <5
Light Source	LED
LED Type	COB
Dimming Method	Triac/1-10V/ Dali
Cover Material	Aluminum
Body Material	Aluminum
IP Rating	IP20
Housing Colour	Sandy White/ Sandy Black
Weight	0.5Kg
Technical Region	220-240V 50/60Hz

Light Beam Table		
H(M)	E(lx)	D(M)
		24°
1.0	3262	0.43
2.0	815	0.86
3.0	362	1.28
4.0	204	1.71
5.0	130	2.14

Ultra-thin Anti-glare downlight, CNC machining, luminaire surface can support electroplating treatment. With Anti-glare and high efficiency optics. Classic and durable, suitable for spaces with restricted ceiling heights.