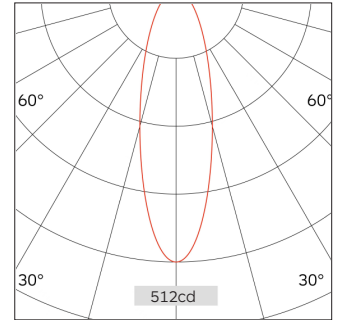
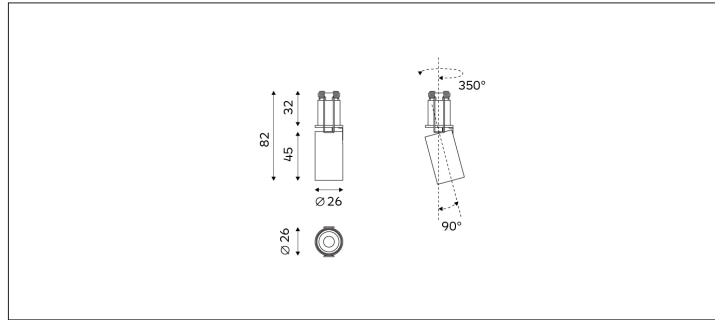
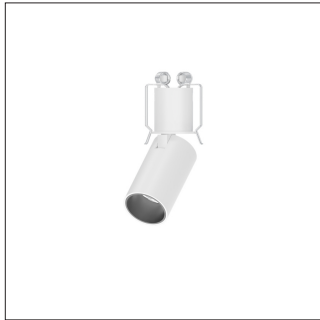


56.02311 NOVAL Recessed Downling



Light Distribution	Semi-recessed Downlight
Colour Temperature	2700/3000/3500/4000K
Colour Rendition Index	CRI 90
Optics	LENS
Beam Angle	17D/26D/31D/53D
Cut Out	23mm
Connected Load	4W
Luminous Flux Of The Luminaire	197lm
Luminaire Efficacy	52lm/W
Colour Deviation	SDCM < 5
Light Source	LED
LED Type	COB
Dimming Method	Triac/1-10V/ Dali
Cover Material	Aluminum
Body Material	Aluminum
IP Rating	IP20
Housing Colour	Sandy White/ Sandy Black
Weight	0.18Kg
Technical Region	220-240V 50/60Hz

Light Beam Table

H(M)	E(lx)	D(M)
		31°
1.0	512.78	0.56
2.0	128.20	1.12
3.0	56.98	1.67
4.0	32.05	2.23
5.0	20.51	2.79

Mainly for spaces with restricted floor heights, such as clothing shops, furniture shops and other brand boutiques, car displays, jewelry, star hotels, high-end clubs, museums, chain stores, brand sales halls, professional windows, counters and other accent lighting places.