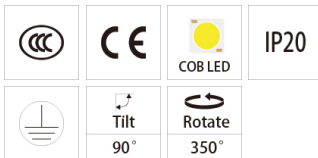
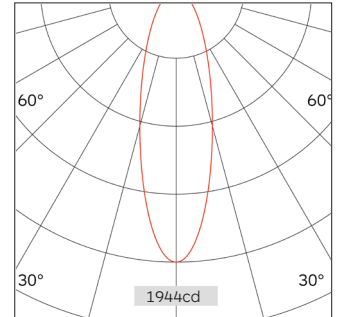
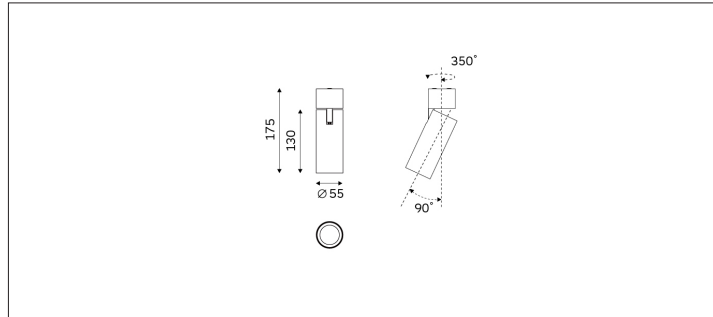


# 93.05511 ECO Surface Mounted Lighting



Light Distribution	Surface Mounted Lighting
Colour Temperature	2700/3000/3500/4000K
Colour Rendition Index	CRI 90
Optics	LENS
Beam Angle	22D/27D/38D/56D
Installation method	Surface Mounted
Connected Load	14W
Luminous Flux Of The Luminaire	1563lm
Luminaire Efficacy	111lm/W
Colour Deviation	SDCM <5
Light Source	LED
LED Type	COB
Dimming Method	Triac/1-10V/ Dali
Cover Material	Aluminum
Body Material	Aluminum
IP Rating	IP20
Housing Colour	Sandy White/ Sandy Black
Weight	0.35Kg
Technical Region	220-240V 50/60Hz

H(M)	E(lx)	D(M)
		56°
1.0	1944.70	1.07
2.0	486.17	2.14
3.0	216.08	3.21
4.0	121.54	4.28
5.0	77.79	5.35

Application areas: retail, museums, hospitality, residential, offices and lobbies.