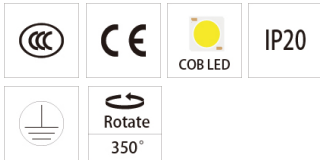
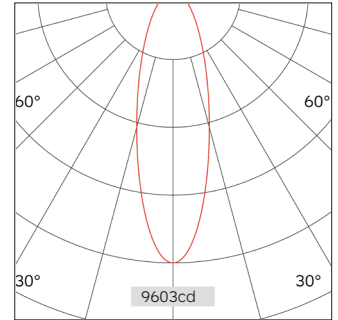
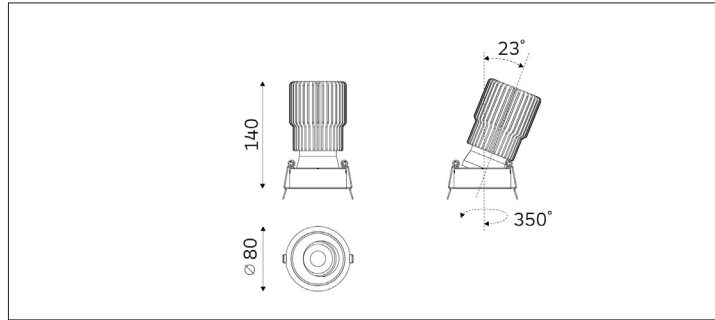


52.07522 LOTT RECESSED DOWNLIGHT



| | |
|--------------------------------|--------------------------|
| Light Distribution | LOTT Recessed Downlight |
| Colour Temperature | 2700/3000/3500/4000K |
| Colour Rendition Index | CRI 90 |
| Optics | LENS |
| Beam Angle | 21D/32D/43D/53D |
| Cut out | 75mm |
| Connected Load | 27.2W |
| Luminous Flux Of The Luminaire | 2995lm |
| Luminaire Efficacy | 110lm/W |
| Colour Deviation | SDCM <5 |
| Light Source | LED |
| LED Type | COB |
| Dimming Method | Triac/1-10V/ Dali |
| Cover Material | Aluminum |
| Body Material | Aluminum |
| IP Rating | IP20 |
| Housing Colour | Sandy White/ Sandy Black |
| Weight | 0.5Kg |
| Technical Region | 220-240V 50/60Hz |

Light Beam Table

| H(M) | E(lx) | D(M) |
|------|---------|------|
| | | 32° |
| 1.0 | 9603.43 | 0.57 |
| 2.0 | 2400.86 | 1.15 |
| 3.0 | 1067.05 | 1.72 |
| 4.0 | 600.21 | 2.29 |
| 5.0 | 384.14 | 2.87 |

Extremely small size does high wattage to meet the demand for small cut out and high lumens nowadays. Deep anti-glare optical structure, let the space more comfortable.