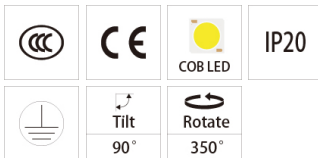
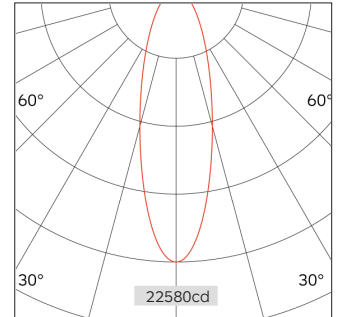
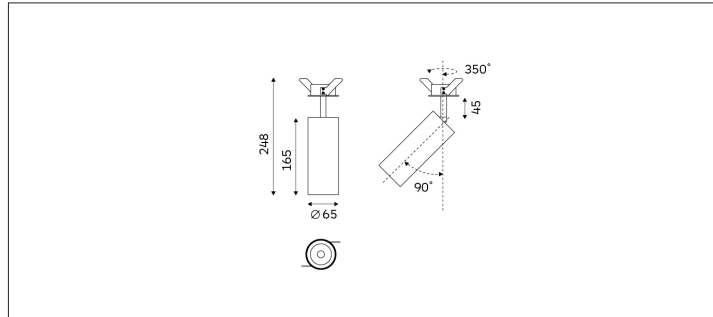


# 56.05525 FOS Recessed Downlight



Light Distribution	FOS Recessed Downlight
Colour Temperature	2700/3000/3500/4000K
Colour Rendition Index	CRI 90
Optics	LENS
Beam Angle	17D/27D/36D/51D
Cut Out	55mm
Connected Load	24W
Luminous Flux Of The Luminaire	2678lm
Luminaire Efficacy	111lm/W
Colour Deviation	SDCM <5
Light Source	LED
LED Type	COB
Dimming Method	Triac/1-10V/ Dali
Cover Material	Aluminum
Body Material	Aluminum
IP Rating	IP20
Housing Colour	Sandy White/ Sandy Black
Weight	0.85Kg
Technical Region	220-240V 50/60Hz

H(M)	E(lx)	D(M)
		17°
1.0	22580.22	0.3
2.0	5645.06	0.6
3.0	2508.91	0.9
4.0	1411.26	1.2
5.0	903.21	1.5

Application areas: retail, museums, hospitality, residential, offices and lobbies.