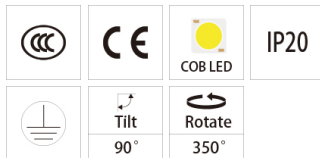
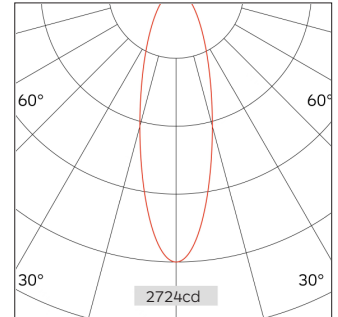
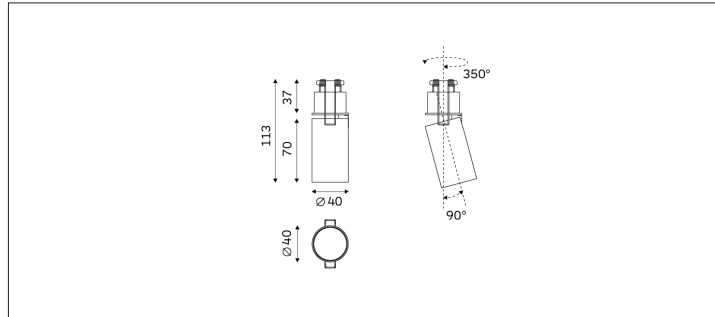


56.03711 NOVAL Semi-recessed Downlight



Light Distribution	Semi-recessed Downlight
Colour Temperature	2700/3000/3500/4000K
Colour Rendition Index	CRI 90
Optics	LENS
Beam Angle	18D/23D/33D/42D
Cut Out	37mm
Connected Load	6.2W
Luminous Flux Of The Luminaire	478lm
Luminaire Efficacy	77m/W
Colour Deviation	SDCM <5
Light Source	LED
LED Type	COB
Dimming Method	Triac/1-10V/ Dali
Cover Material	Aluminum
Body Material	Aluminum
IP Rating	IP20
Housing Colour	Sandy White/ Sandy Black
Weight	0.25Kg
Technical Region	220-240V 50/60Hz

Light Beam Table

H(M)	E(lx)	D(M)
		23°
1.0	2724.82	0.41
2.0	681.21	0.82
3.0	302.76	1.23
4.0	170.30	1.63
5.0	108.99	2.04

Mainly for spaces with restricted floor heights, such as clothing shops, furniture shops and other brand boutiques, car displays, jewelry, star hotels, high-end clubs, museums, chain stores, brand sales halls, professional windows, counters and other accent lighting places.