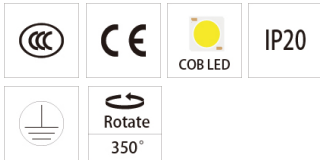
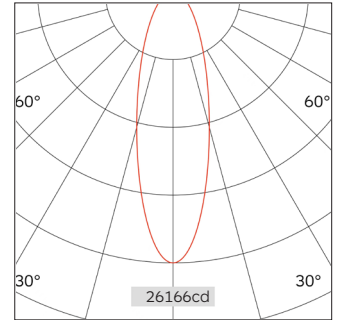
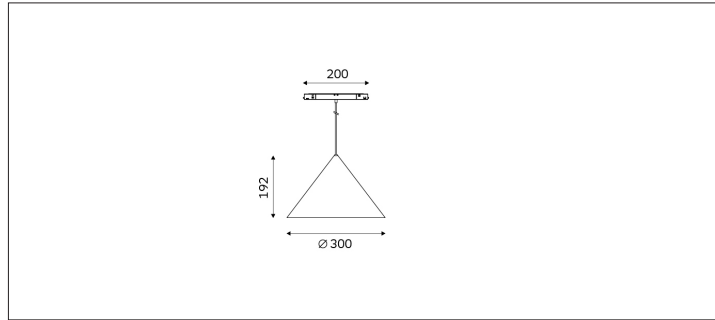


81.30011 DELTA Pendant lighting



Light Distribution	DELTA Pendant lighting
Colour Temperature	2700/3000/3500/4000K
Colour Rendition Index	CRI 90
Optics	LENS
Beam Angle	15D/25D/33D/65D
Installation method	Surface Mounted
Connected Load	24W
Luminous Flux Of The Luminaire	3024lm
Luminaire Efficacy	127lm/W
Colour Deviation	SDCM < 5
Light Source	LED
LED Type	COB
Dimming Method	Triac/1-10V/ Dali
Cover Material	Aluminum
Body Material	Aluminum
IP Rating	IP20
Housing Colour	Sandy White/ Sandy Black
Weight	0.8Kg
Technical Region	220-240V 50/60Hz

H(M)	E(lx)	D(M)
		15°
1.0	26166.31	0.27
2.0	6541.58	0.54
3.0	2907.37	0.81
4.0	1635.39	1.08
5.0	1046.65	1.35

Greater angle adjustment (up to 30d unidirectional), and at the same time with horizontal adjustment. Meet the lighting needs of different places. Share a variety of optical accessories, you can one body, free to change.