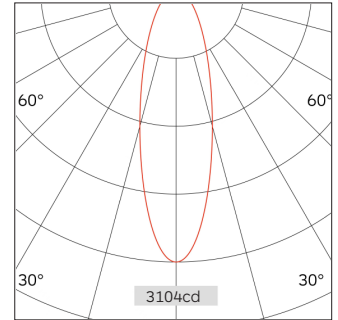
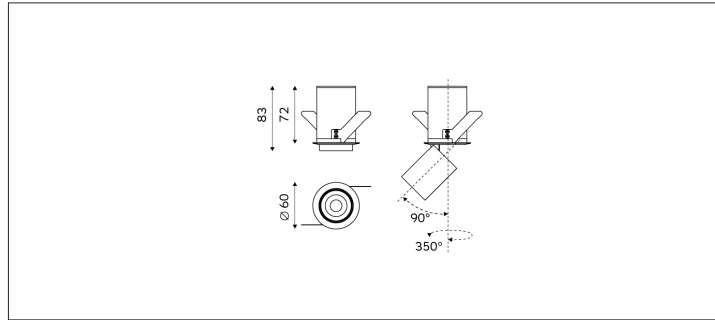


56.05511 MINI Recessed Downlight-Adjust



Light Distribution	MINI Recessed Downlight
Colour Temperature	2700/3000/3500/4000K
Colour Rendition Index	CRI 90
Optics	LENS
Beam Angle	20D/25D/38D/51D
Cut Out	55mm
Connected Load	8.8W
Luminous Flux Of The Luminaire	670lm
Luminaire Efficacy	76lm/W
Colour Deviation	SDCM <5
Light Source	LED
LED Type	COB
Dimming Method	Triac/1-10V/ Dali
Cover Material	Aluminum
Body Material	Aluminum
IP Rating	IP20
Housing Colour	Sandy White/ Sandy Black
Weight	0.4Kg
Technical Region	220-240V 50/60Hz

H(M)	E(lx)	D(M)
		25°
1.0	3104.03	0.45
2.0	776.01	0.89
3.0	344.89	1.34
4.0	194.00	1.79
5.0	124.16	2.24

Application areas: High end residential and retail projects, hotels, museums and galleries.