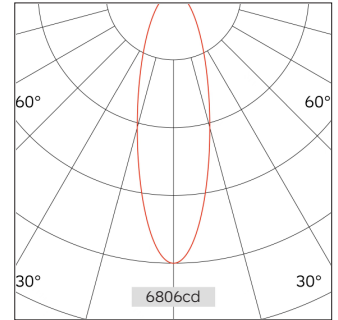
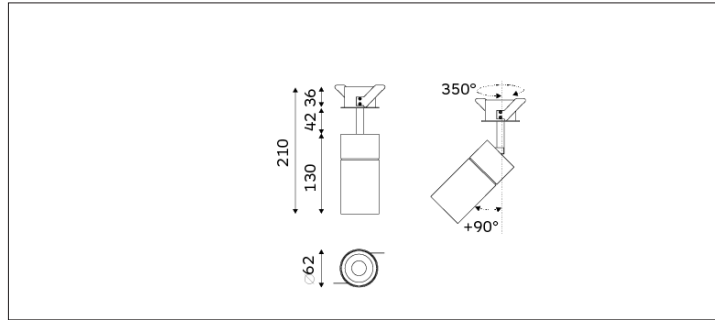


56.05518 EMMA Recessed Downlight



Light Distribution	EMMA Recessed Downlight
Colour Temperature	2700/3000/3500/4000K
Colour Rendition Index	CRI 90
Optics	LENS
Beam Angle	18D/27D/38D/54D
Cut Out	55mm
Connected Load	14W
Luminous Flux Of The Luminaire	1627lm
Luminaire Efficacy	116lm/W
Colour Deviation	SDCM <5
Light Source	LED
LED Type	COB
Dimming Method	Triac/1-10V/ Dali
Cover Material	Aluminum
Body Material	Aluminum
IP Rating	IP20
Housing Colour	Sandy White/ Sandy Black
Weight	0.5Kg
Technical Region	220-240V 50/60Hz

Light Beam Table

H(M)	E(lx)	D(M)
		27°
1.0	6806.48	0.48
2.0	1701.62	0.97
3.0	756.28	1.45
4.0	425.40	1.94
5.0	272.26	2.42

Application areas: retail, museums, hospitality, residential, offices and lobbies.