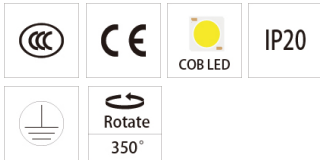
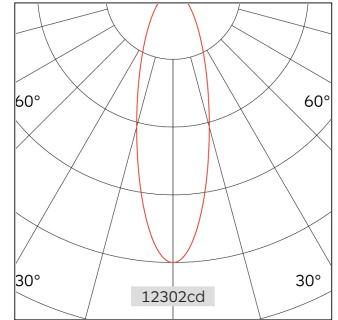
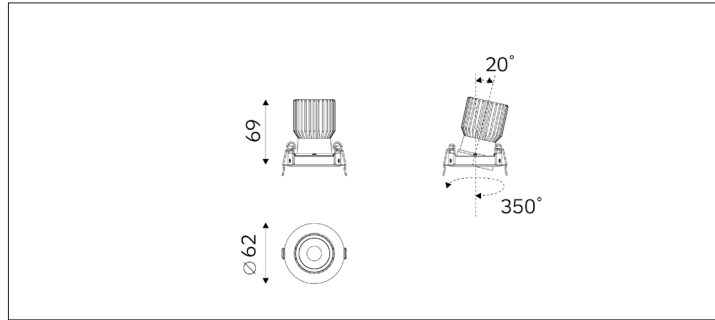


52.05520 ECO RECESSED DOWNLIGHT



Light Distribution	ECO Recessed Downlight
Colour Temperature	2700/3000/3500/4000K
Colour Rendition Index	CRI 90
Optics	LENS
Beam Angle	17D/25D/36D/58D
Cut out	55mm
Connected Load	14W
Luminous Flux Of The Luminaire	1678lm
Luminaire Efficacy	120lm/W
Colour Deviation	SDCM <5
Light Source	LED
LED Type	COB
Dimming Method	Triac/1-10V/ Dali
Cover Material	Aluminum
Body Material	Aluminum
IP Rating	IP20
Housing Colour	Sandy White/ Sandy Black
Weight	0.8Kg
Technical Region	220-240V 50/60Hz

Light Beam Table

H(M)	E(lx)	D(M)
		17°
1.0	12302.12	0.30
2.0	3075.53	0.60
3.0	1366.90	0.90
4.0	768.88	1.19
5.0	492.08	1.49

ECO Track light with 3 kinds of wattage, and there are also 3 kinds of common adaptor and integrated adaptor. Classic style, front and rear convection, good heat dissipation, to ensure the life of the fixture. Deep front cover, low UGR, creates a comfortable space.