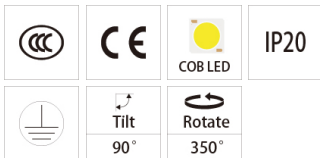
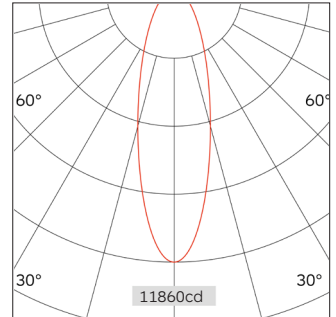
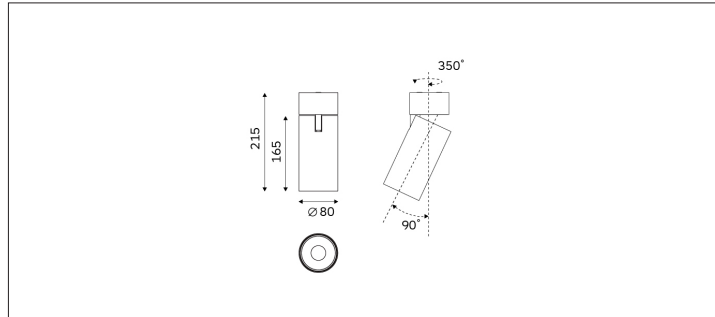


93.08011 ECO Surface Mounted Lighting



Light Distribution	Surface Mounted Lighting
Colour Temperature	2700/3000/3500/4000K
Colour Rendition Index	CRI 90
Optics	LENS
Beam Angle	18D/26D/33D/55D
Installation method	Surface Mounted
Connected Load	31W
Luminous Flux Of The Luminaire	3843lm
Luminaire Efficacy	123lm/W
Colour Deviation	SDCM <5
Light Source	LED
LED Type	COB
Dimming Method	Triac/1-10V/ Dali
Cover Material	Aluminum
Body Material	Aluminum
IP Rating	IP20
Housing Colour	Sandy White/ Sandy Black
Weight	0.75Kg
Technical Region	220-240V 50/60Hz

H(M)	E(lx)	D(M)
		33°
1.0	11860.44	0.59
2.0	2965.11	1.17
3.0	1317.83	1.76
4.0	741.28	2.34
5.0	474.42	2.93

Application areas: retail, museums, hospitality, residential, offices and lobbies.