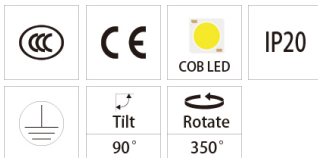
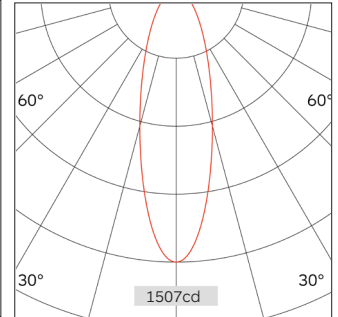
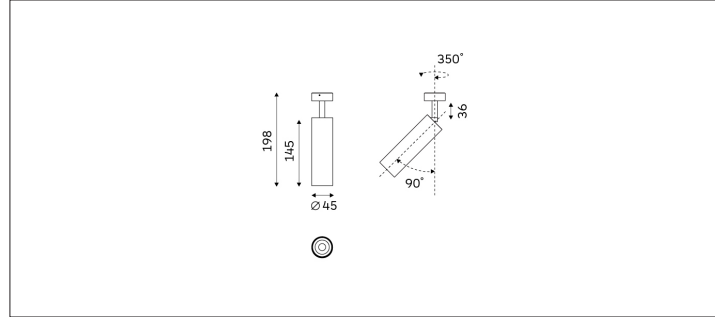


93.04512 FOS Surface Mounted Lighting



Light Distribution	Surface Mounted Lighting
Colour Temperature	2700/3000/3500/4000K
Colour Rendition Index	CRI 90
Optics	LENS
Beam Angle	19D/23D/36D/41D
Installation method	Surface Mounted
Connected Load	11W
Luminous Flux Of The Luminaire	808lm
Luminaire Efficacy	73lm/W
Colour Deviation	SDCM <5
Light Source	LED
LED Type	COB
Dimming Method	Triac/1-10V/ Dali
Cover Material	Aluminum
Body Material	Aluminum
IP Rating	IP20
Housing Colour	Sandy White/ Sandy Black
Weight	0.35Kg
Technical Region	220-240V 50/60Hz

H(M)	E(lx)	D(M)
		41°
1.0	1507.37	0.76
2.0	376.84	1.51
3.0	167.49	2.27
4.0	94.21	3.03
5.0	60.29	3.78

Application areas: retail, museums, hospitality, residential, offices and lobbies.