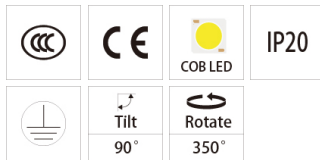
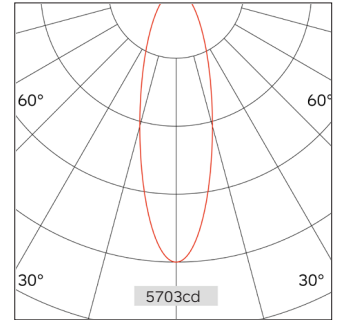
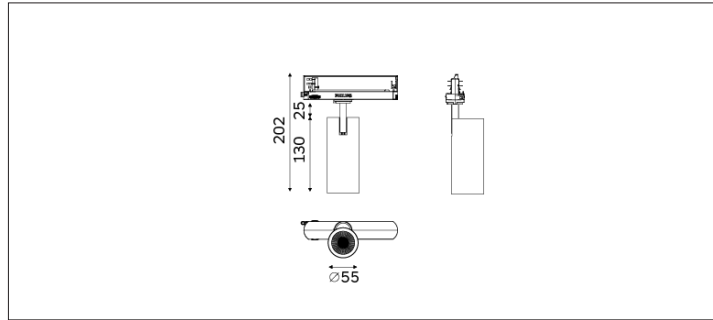


32.05512 ECO Track Lighting intrack



Light Distribution	ECO Track Lighting intrack
Colour Temperature	2700/3000/3500/4000K
Colour Rendition Index	CRI 90
Optics	LENS
Beam Angle	22D/27D/38D/56D
Track Phases	1 Circuit/ 3 Circuit
Connected Load	14W
Luminous Flux Of The Luminaire	1563lm
Luminaire Efficacy	112lm/W
Colour Deviation	SDCM <5
Light Source	LED
LED Type	COB
Dimming Method	Triac/1-10V/ Dali
Cover Material	Aluminum
Body Material	Aluminum
IP Rating	IP20
Housing Colour	Sandy White/ Sandy Black
Weight	0.35Kg
Technical Region	220-240V 50/60Hz

Light Beam Talbe

h(m)	E(lx)	D(m)
		27°
1.0	5703	0.49
2.0	1425	0.98
3.0	633	1.46
4.0	356	1.95
5.0	228	2.44

Application areas: retail, museums, hospitality, residential, offices and lobbies.