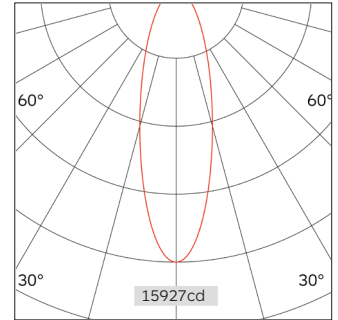
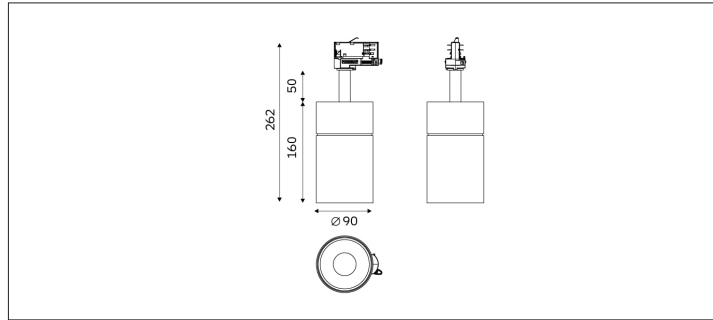


32.09013 EMMA Track Lighting



Light Distribution	EMMA TRACK LIGHT
Colour Temperature	2700/3000/3500/4000K
Colour Rendition Index	CRI 90
Optics	LENS
Beam Angle	16D/20D/30D/45D
Track Phases	1 Circuit/ 3 Circuit
Connected Load	36W
Luminous Flux Of The Luminaire	4509lm
Luminaire Efficacy	124lm/W
Colour Deviation	SDCM < 5
Light Source	LED
LED Type	COB
Dimming Method	Triac/1-10V/ Dali
Cover Material	Aluminum
Body Material	Aluminum
IP Rating	IP20
Housing Colour	Sandy White/ Sandy Black
Weight	1Kg
Technical Region	220-240V 50/60Hz

Light Beam Table

H(M)	E(lx)	D(M)
		30°
1.0	15927.71	0.54
2.0	3981.93	1.08
3.0	1769.75	1.63
4.0	995.48	2.17
5.0	637.11	2.71

Application areas: retail, museums, hospitality, residential, offices and lobbies.