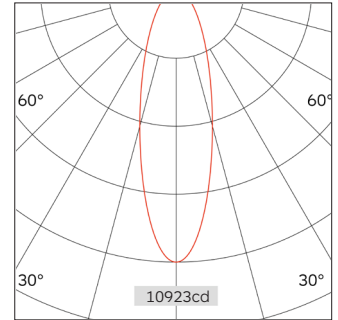
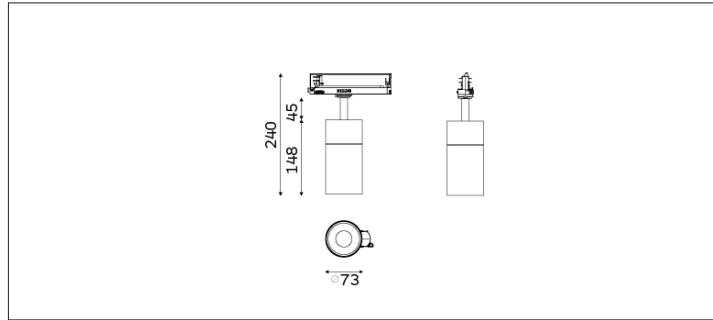


32.07315 EMMA Track Lighting-Intrack



Light Distribution	Track Lighting-Intrack
Colour Temperature	2700/3000/3500/4000K
Colour Rendition Index	CRI 90
Optics	LENS
Beam Angle	14D/28D/40D/50D
Track Phases	1 Circuit / 3 Circuit
Connected Load	24W
Luminous Flux Of The Luminaire	2963lm
Luminaire Efficacy	127lm/W
Colour Deviation	SDCM <5
Light Source	LED
LED Type	COB
Dimming Method	Triac/1-10V/ Dali
Cover Material	Aluminum
Body Material	Aluminum
IP Rating	IP20
Housing Colour	Sandy White/ Sandy Black
Weight	0.7Kg
Technical Region	220-240V 50/60Hz

Light Beam Talbe		
h(m)	E(lx)	D(m)
		28°
1.0	10923	0.50
2.0	4854	0.75
3.0	2730	1.00
4.0	1747	1.25
5.0	1213	1.50

Application areas: retail, museums, hospitality, residential, offices and lobbies.