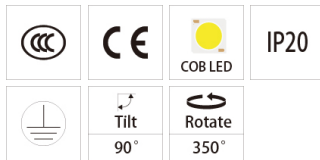
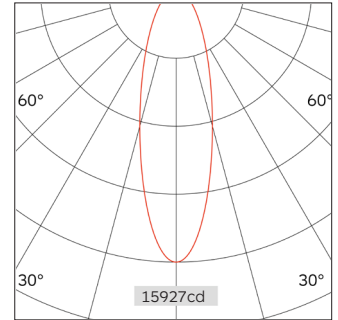
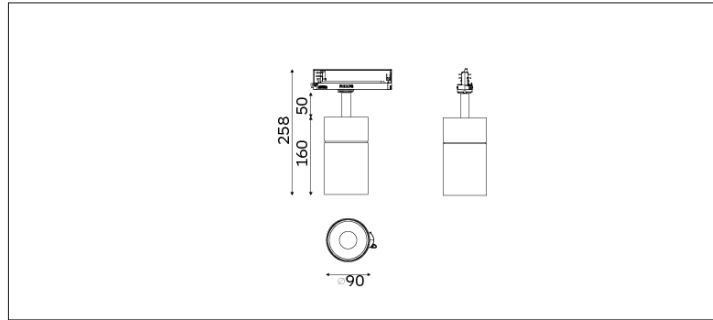


# 32.09015 EMMA Track Lighting-Intrack



Light Distribution	EMMA Track Lighting-Intrack
Colour Temperature	2700/3000/3500/4000K
Colour Rendition Index	CRI 90
Optics	LENS
Beam Angle	16D/20D/30D/45D
Track Phases	1 Circuit/ 3 Circuit
Connected Load	36W
Luminous Flux Of The Luminaire	4509 lm
Luminaire Efficacy	124lm/W
Colour Deviation	SDCM <5
Light Source	LED
LED Type	COB
Dimming Method	Triac/1-10V/ Dali
Cover Material	Aluminum
Body Material	Aluminum
IP Rating	IP20
Housing Colour	Sandy White/ Sandy Black
Weight	1Kg
Technical Region	220-240V 50/60Hz

## Light Beam Talbe

h(m)	E(lx)	D(m)
		30°
1.0	15927	0.54
2.0	7079	0.81
3.0	3982	1.08
4.0	2548	1.35
5.0	1769	1.63

Application areas: retail, museums, hospitality, residential, offices and lobbies.