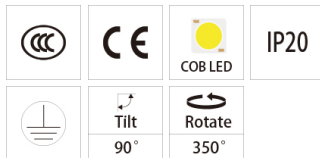
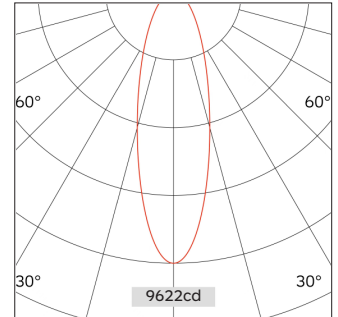
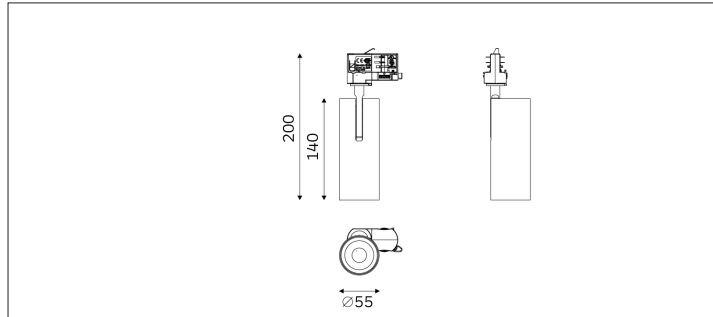


# 32.05522 SPECTRUM Track Lighting



Light Distribution	SPECTRUM Track Lighting
Colour Temperature	2700/3000/3500/4000K
Colour Rendition Index	CRI 90
Optics	LENS
Beam Angle	17D/28D/39D/49D
Track Phases	1 Circuit/ 3 Circuit
Connected Load	14.3W
Luminous Flux Of The Luminaire	1244lm
Luminaire Efficacy	87lm/W
Colour Deviation	SDCM<5
Light Source	LED
LED Type	COB
Dimming Method	Triac/1-10V/ Dali
Cover Material	Aluminum
Body Material	Aluminum
IP Rating	IP20
Housing Colour	Sandy White/ Sandy Black
Weight	0.55Kg
Technical Region	220-240V 50/60Hz

## Light Beam Table

h(m)	E(lx)	D(m)
1.0	9622	0.30
2.0	2405	0.60
3.0	1069	0.90
4.0	601	1.20
5.0	385	1.50

A modern design consisting for the purpose to meet the highest requirements of the latest advanced lighting technology.