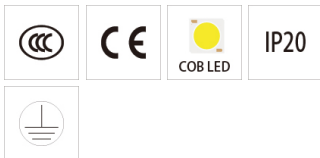
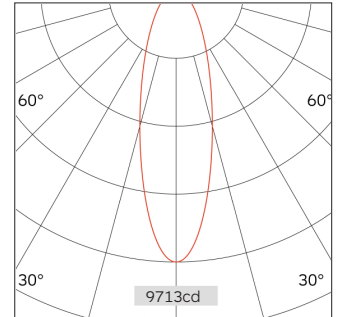
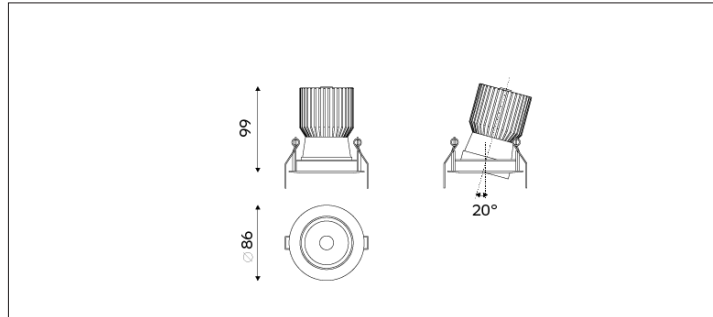


52.08011 ECO Recessed Downlight



Light Distribution	ECO Recessed Downlight
Colour Temperature	2700/3000/3500/4000K
Colour Rendition Index	CRI 90
Optics	LENS
Beam Angle	16D/25D/37D/58D
Cut Out	80mm
Connected Load	19.8W
Luminous Flux Of The Luminaire	2185lm
Luminaire Efficacy	111lm/W
Colour Deviation	SDCM <5
Light Source	LED
LED Type	COB
Dimming Method	Triac/1-10V/ Dali
Cover Material	Aluminum
Body Material	Aluminum
IP Rating	IP20
Housing Colour	Sandy White/ Sandy Black
Weight	0.5Kg
Technical Region	220-240V 50/60Hz

Light Beam Talbe		
h(m)	E(lx)	D(m)
		25°
1.0	9713	0.44
2.0	2428	0.88
3.0	1079	1.31
4.0	697	1.75
5.0	388	2.19

Application areas: High end residential and retail projects, hotels, museums and galleries.