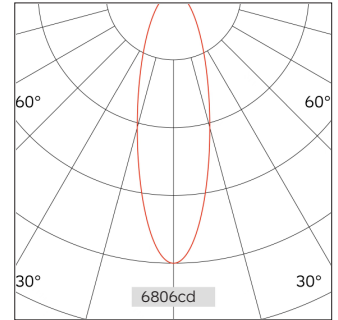
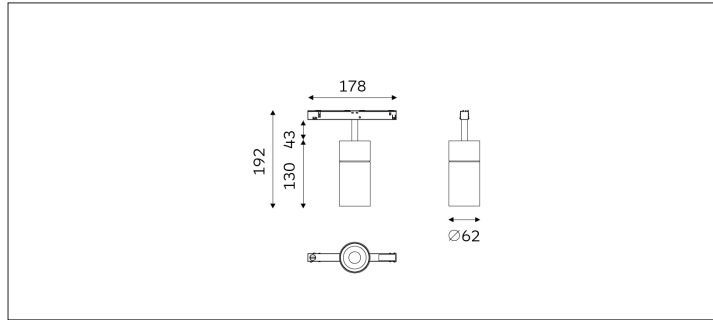
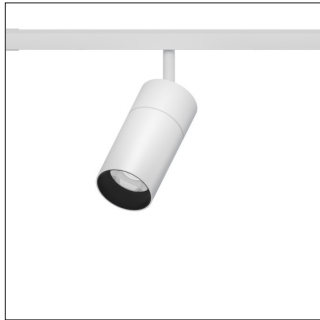


62.06217 EMMA Track Lighting



Connected Load	14W
Colour Temperature	2700/3000/3500/4000K
Colour Rendition Index	CRI 90
Optics	LENS
Beam Angle	18D/27D/38D/54D
Track	Low Voltage Track
Light Distribution	EMMA Track Lighting
Luminous Flux Of The Luminaire	1627lm
Luminaire Efficacy	114lm/W
Colour Deviation	SDCM <5
Light Source	LED
LED Type	COB
Dimming Method	1-10V/ Dali
Cover Material	Aluminum
Body Material	Aluminum
IP Rating	IP20
Housing Colour	Sandy White/ Sandy Black
Weight	0.6Kg
Technical Region	Input 48V

Light Beam Talbe		
h(m)	E(lx)	D(m)
		27°
1.0	6806	0.48
2.0	3025	0.73
3.0	1701	0.97
4.0	1089	1.21
5.0	756	1.45

A modern design consisting for the purpose to meet the highest requirements of the latest advanced lighting technology.